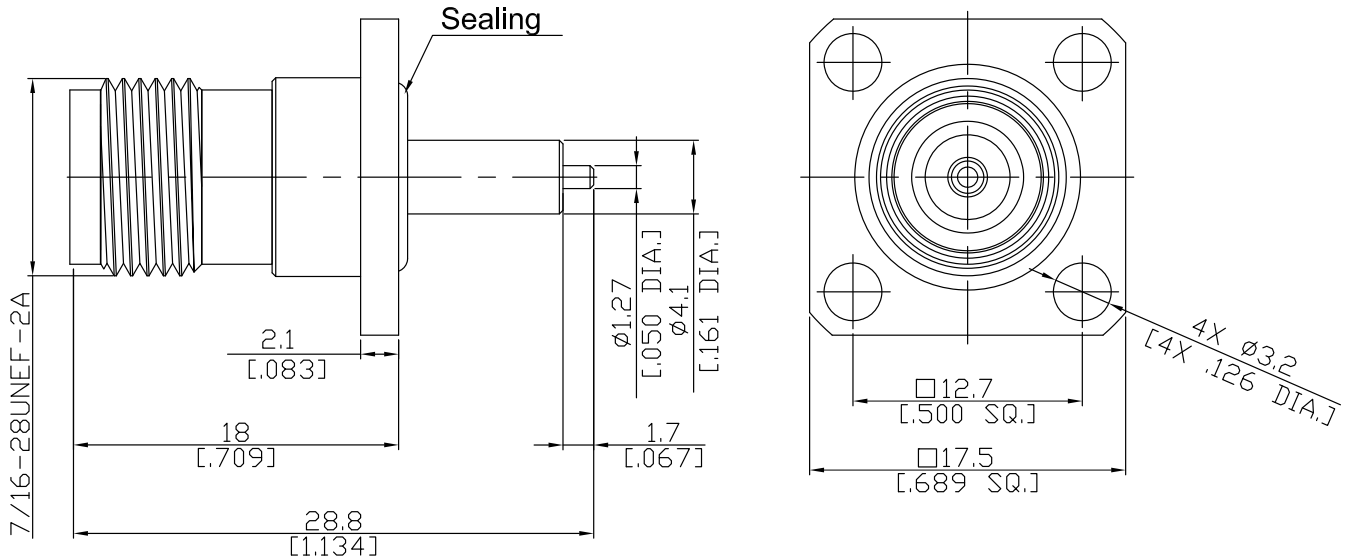


TNC Jack (female) Connector Solder Attachment 4 Hole Flange Mount
Stub Terminal, 12.7mm (.500 inch) Hole Spacing DC-4GHz VSWR1.09

TNC2GFA50-2880A / H4



All dimensions are in mm [inch]

Tolerances according to DIN ISO 2768-mH

Interface

According to

MIL-STD-348B/313; IEC 60169-17

Electrical Data

Impedance	50 Ω
Frequency	DC to 4 GHz
VSWR (Return Loss)	≤ 1.09 (≥ 27 dB)
Insertion Loss	≤ 0.05 dB, DC to 4 GHz
Insulation Resistance	≥ 5 G Ω
Center Contact Resistance	≤ 1.5 m Ω
Outer Contact Resistance	≤ 1 m Ω
Working Voltage (at sea level)	500 V rms
Test voltage	1500 V rms
Power handling	80 W @ 2 GHz

Material And Plating

Piece Parts	Material	Plating
Centre contact	Phosphor Bronze	Gold plating, 3 μ inch (Non-magnetic nickel-phosphorus underplating, 80 μ inch)
Body	Brass	Copper-Tin-Zinc Alloy
Insulator	PTFE	
Gasket	Silicone Rubber	

TNC Jack (female) Connector Solder Attachment 4 Hole Flange Mount
Stub Terminal, 12.7mm (.500 inch) Hole Spacing DC-4GHz VSWR1.09

TNC2GFA50-2880A / H4

Mechanical Data

Coupling mechanisms	Screw-lock
Mating Cycles	≥ 500
Centre Contact	Soldered
Terminal Type	Stub
Captivated Type	Mechanical
Coupling Test Torque	1.7 Nm max.
Recommended Torque	0.46 Nm to 0.69 Nm

Environmental Data

Temperature Range	-65°C to +165°C
Thermal shock	MIL-STD-202, Meth. 107, Cond. B
Corrosion	MIL-STD-202, Meth. 101, Cond. B
Vibration	MIL-STD-202, Meth. 204, Cond. B
Shock	MIL-STD-202, Meth. 213, Cond. G
Moisture Resistance	MIL-STD-202, Meth. 106
RoHS	compliant

Packing

Single or 100